

TK24HT 1/2" Disc Thermostat

Operating Temperature Range (+250°C to +425°C)

This is a cyclic operating temperature sensitive device, which is intended to control the temperature between two particular values under normal operating conditions, automatically switching off the electrical circuit. This thermostat is designed to operate in higher temperatures.

This thermostat is available only with electrical contacts that open as the temperature increases. Once the temperature of the bimetal disc has returned to the specified reset temperature, the contacts will automatically return to their original state.

Besides its variety of standard configurations the thermostat can also be customized to the specific technical needs of the customer, assuring maximum design flexibility and usage in broad range of temperature control applications for consumer, industrial and commercial applications.

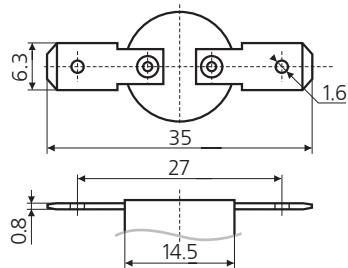
Contact Type: Normally Closed

BASIC TECHNICAL DATA

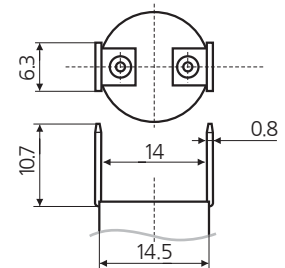
Parameter	Value
Rated voltage, V, not more	~250
Rated current, A, at power coeff. 0,95, not more	10
Rated current, A, at power coeff. 0,6, not more	6,3
Number of automatic cycles, at rated current 10 A and power coeff. 0,95, not less than	10 000
Operating temperature, °C	250 to 425
Tolerance of operating temperature, %	± 6
Reset temperature, lower than operating temperature, °C, on	60 ± 10; 100 ± 10; 150 ± 10
Transient resistance, Ω, not more	0,05
Contact operating time, ms, not more	3
Electric strength of insulation, V, not less than	1500
Insulation resistance, MΩ, not less than	50
Heating speed, K/min	minimum-0,1, maximum-1,0
Degrees of protection provided by enclosure	IP4X

Table 1.1 (TERMINALS)

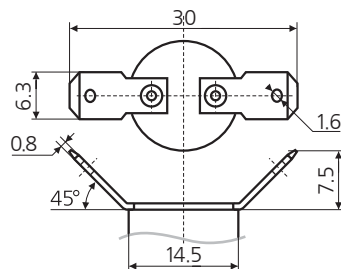
T 01



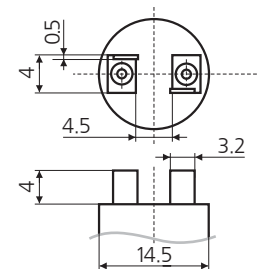
T 02



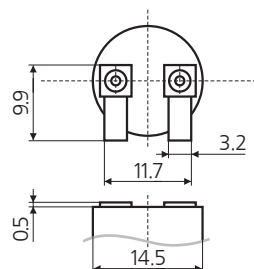
T 03



T 06



T 07



T 08

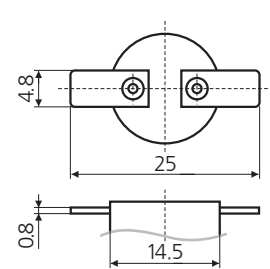


Table 1.2 (MOUNTING)

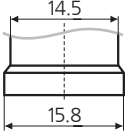
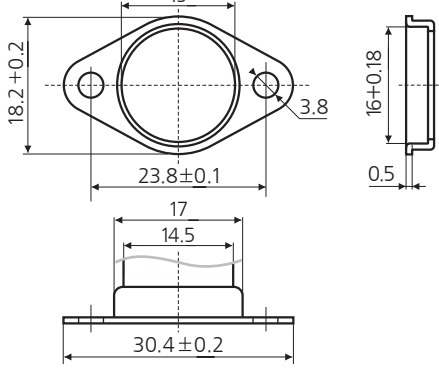
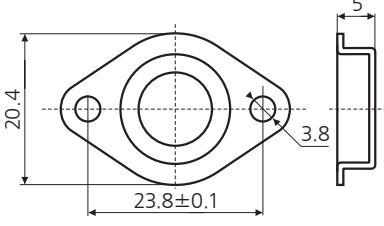
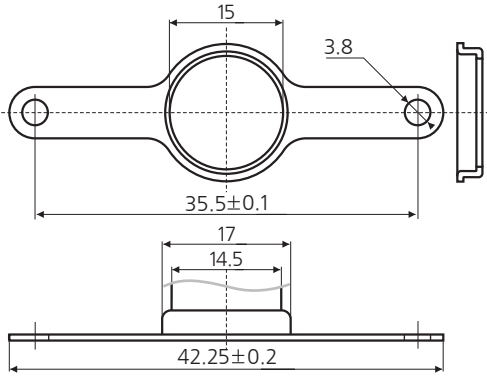
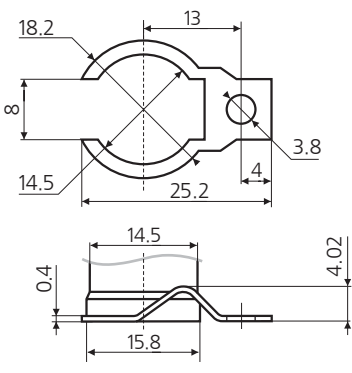
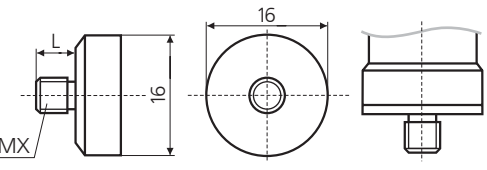
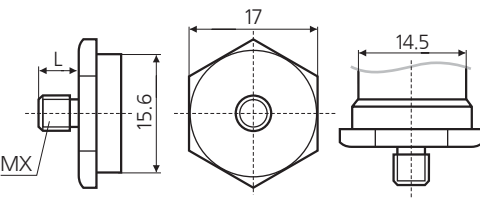
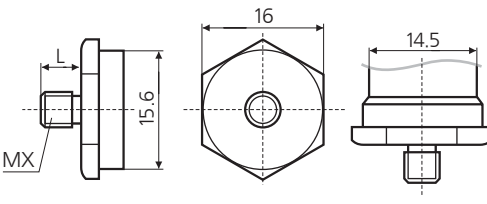
<p>MG 00 NO MOUNTING</p>		<p>MG 01 ROTATION OR FIXED CLIP</p>	
<p>MG 02 CAP-FLANGE</p>		<p>MG 03 ROTATION CLIP</p>	
<p>MG 04 CLIP WITH ONE FIXING HOLE</p>		<p>MG 06 SCREW CAP ROUND</p>	 <p>Screw parameters (MX, L) to be specified on the order form</p>
<p>MG 07 SCREW CAP HEXAHEDRAL 17</p>	 <p>Screw parameters (MX, L) to be specified on the order form</p>	<p>MG 08 SCREW CAP HEXAHEDRAL 16</p>	 <p>Screw parameters (MX, L) to be specified on the order form</p>

Table 1.3 (BODY and/or CASE)

<p>B1C CERAMIC BODY</p>		<p>B2C CERAMIC BODY</p>	
--------------------------------	---	--------------------------------	---

PART ORDERING SYSTEM

<p>TK24HT 1</p>	<p>TX 2</p>	<p>MGX* 3</p>	<p>BXX 4</p>	<p>X±X 5</p>	<p>X±X 6</p>
<p>1</p>	<p>Thermostat model</p>				
<p>2</p>	<p>Terminals version (select from Table 1.1)</p>				
<p>3</p>	<p>Mounting version (select from Table 1.2)</p>				
<p>4</p>	<p>Body version (select from Table 1.3)</p>				
<p>5</p>	<p>Operating temperature value in °C and tolerance in ± %</p>				
<p>6</p>	<p>Reset temperature value in °C and tolerance in ± %</p>				

Example: TK24HT - T01 - MG04 - B2C - 350 ± 6% - 200 ± 10%
*For screw cap mountings, screw parameters must be specified when placing an order.



Address: "Thermorex" B.V., 145 Lylantse Plein 1, 2908LH, Capelle aan den IJssel, The Netherlands.
tel.: +31(0)61 55 22 880, e-mail: info@thermorex.nl, marketing@thermorex.nl

Manufacturing plant: "Thermorex" CJSC, 24/41 Fuchik str., 0048, Yerevan, Armenia
tel.: +37410 39 58 84, 37410 34 93 51, fax: +37410 34 98 86, e-mail: info@thermorex.org, marketing@thermorex.org

